

# UNIVERSAL JAW CRUSHERS



The Universal Overhead Eccentric Jaw Crushers are constructed from top quality material for rugged service in a tough industry! Universal Jaw Crushers are the most efficient on the market today. A deeper crushing chamber provides better nip angle while reducing rebound, ensuring continuous crushing action with less abrasive wear. Longer throw provides sharp crushing action, leaving fewer slabs and slivers. Radial toggle action with a downward thrust force feeds material and ensures top production with less plugging. Reversible jaws provide longer jaw life, assure less downtime, and greater economy. Each Universal Jaw Crusher is designed with a wide range of discharge settings. Unlike competitive units, the closed-side-setting of the Universal Jaw Crusher is measured from peak to valley on the corrugated jaw plates for improved product sizing control at each designated setting.

## **Standard Design Features:**

- Rigid one-piece fabricated base frame reinforced for unmatched durability and strength.
- Jaw openings are measured from inside the wear plates providing a larger crushing chamber for greater reduction and overall capacities.
- Universal Jaw Crushers are known for their deep crushing chambers that provide a positive, non-rebounding nip for faster throughput.
- Replacement key wedges and heel plates secure the stationary jaw plate and prevent wear on the sides of the crusher base.
- Reversible manganese jaw plates provide for a severe duty wear surface that work-hardens and allows for maximum wear life.
- The massive cast steel pitman is heavily reinforced and finely machined to provide the ability to absorb the shock loads.
- Large balanced flywheels supply continuous driving force to the crushing action.
- The single toggle design incorporates a dual purpose toggle plate that not only allows for setting the discharge of the crusher, but is also designed as a shear point to protect the crusher in the case of tramp iron.
- Hydraulic shim adjustment minimizes downtime when changing the discharge setting and provides for quick and easy adjustments.
- Greater throughput combined with low-cost maintenance equals higher profits every day of operation. The Universal Jaw Crusher is field-proven worldwide as an efficient, cost-effective primary crusher in the toughest environments.

---

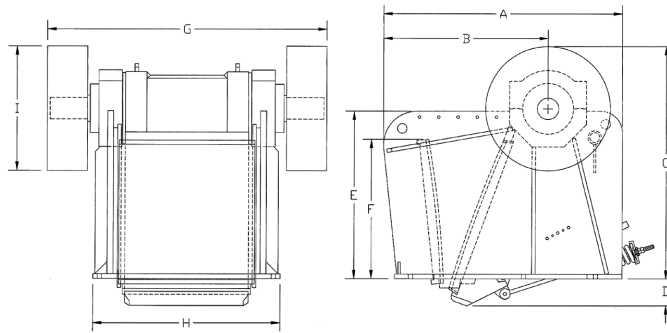
## **Optional Equipment Available:**

- Manual lube system piped to central location
- Fully automatic lube system piped to a central location
- V-belts
- Drive guard
- Electric motor
- Motor sheave



CORPORATE OFFICE  
Pennsylvania, USA +1 (814) 695 9807\* sales@mcclanahan.com

\*For All Universal Equipment Inquiries, Please Contact McLanahan's Iowa Office At +1 (319) 365 0441.



## DIMENSIONS

JAW		A	B	C	D	E	F	G	H	I
2236	in	70.56	47.56	67.50	8.00	46.50	37.88	96.00	51.50	42.00
	mm	1,792	1,208	1,714	203	1,181	962	2,438	1,308	1,067
2248	in	84.00	57.87	83.50	8.00	57.50	42.63	108.00	68.00	52.00
	mm	2,134	1,470	2,121	203	1,461	1,083	2,743	1,727	1,321
2540	in	81.50	54.75	88.00	8.00	61.50	49.25	96.00	52.00	52.00
	mm	2,070	1,391	2,235	203	1,562	1,251	2,438	1,321	1,321
3242	in	99.44	68.44	97.25	11.25	70.25	58.50	100.38	66.00	52.00
	mm	2,526	1,738	2,470	286	1,784	1,486	2,550	1,676	1,321
3254	in	99.44	68.44	97.25	16.00	71.25	58.50	114.00	72.50	52.00
	mm	2,526	1,738	2,470	406	1,810	1,486	2,896	1,842	1,321
3648	in	117.00	77.75	125.19	13.00	91.94	77.69	120.00	76.50	65.00
	mm	2,972	1,975	3,180	330	2,335	1,973	3,048	1,943	1,651
4250	in	125.81	81.56	136.00	4.88	101.25	95.25	120.00	74.00	65.00
	mm	3,196	2,072	3,454	124	2,572	2,419	3,048	1,880	1,651
5060	in	152.56	108.56	170.50	13.50	130.00	114.38	128.00	93.25	78.00
	mm	3,875	2,757	4,331	343	3,302	2,905	3,251	2,369	1,981

## SPECIFICATIONS

Model Number		2236	2248	2540	3242	3254	3648	4250	5060
Jaw Opening	in	22 x 36	22 x 48	25 x 40	32 x 42	32 x 54	36 x 48	42 x 50	50 x 60
	mm	559 x 914	559 x 1,219	635 x 1,016	813 x 1,067	813 x 1,372	914 x 1,219	1,067 x 1,270	1,270 x 1,524
Weight	lb	23,500	42,000	36,500	54,000	62,000	75,500	100,000	183,600
	kg	10,660	19,050	16,555	24,545	28,120	34,246	45,360	83,280
Horsepower Recommended	HP	60	125	125	150	200	200	200	300
	kW	45	95	95	115	150	150	150	225
Operating Speed	RPM	250	250	250	225	225	225	225	200
Eccentric Shaft Material		forged steel	forged steel	forged steel	forged steel	forged steel	forged steel	forged steel	forged steel
Dia @ Center	in(mm)	9.75(247)	11.00(279)	10.50(267)	13.38(340)	13.38(340)	14.13(359)	14.13(359)	17.75(451)
Dia @ Pitman Bearing	in(mm)	8.66(220)	10.24(260)	9.45(240)	11.81(300)	11.81(300)	12.60(320)	12.60(320)	15.75(400)
Dia @ Side Bearing	in(mm)	7.09(180)	8.66(220)	7.87(200)	10.24(260)	10.24(260)	11.02(280)	11.02(280)	14.17(360)
Dia @ Flywheel	in(mm)	6.00(152)	6.94(176)	6.94(176)	9.00(229)	10.00(254)	10.00(254)	10.00(254)	12.00(305)
Overall Shaft Length	in(mm)	96(2,438)	108(2,743)	96(2,438)	102(2,591)	114(2,896)	112(2,845)	112(2,845)	120(3,048)
Jaw Material		manganese	manganese	manganese	manganese	manganese	manganese	manganese	manganese
Stationary Length	in(mm)	39.75(1,010)	46.00(1,168)	51.00(1,295)	60.50(1,537)	60.50(1,537)	76.00(1,930)	94.00(2,388)	110.00(2,794)
Movable Length	in(mm)	43.00(1,092)	52.00(1,321)	56.00(1,422)	68.25(1,734)	68.25(1,734)	85.00(2,159)	94.00(2,388)	121.00(3,073)
Max. Discharge Setting*	in(mm)	5.00(127)	8.00(203)	7.00(178)	12.00(305)	12.00(305)	13.00(330)	16.50(419)	20.00(508)
Min. Discharge Setting*	in(mm)	3.00(76)	3.00(76)	3.00(76)	4.00(102)	2.00(51)	2.88(73)	2.00(51)	6.00(152)
Flywheel Material		cast iron	cast iron	cast iron	cast iron	cast iron	cast iron	cast iron	cast iron
Dia and Face	in x in	42 x 12.50	52 x 14.75	52 x 14.75	52 x 16.75	52 x 16.75	65 x 21.00	65 x 21.00	78 x 18.00
	mm x mm	1,069 x 318	1,321 x 375	1,321 x 375	1,321 x 425	1,321 x 425	1,651 x 533	1,651 x 533	1,981 x 457

\*Measured peak to valley on jaw dies.

The information contained herein is general in nature and is not intended for specific construction, installation or application purposes. Predictions of actual performance of a given piece of equipment should take into account the many variable field factors, no warranty of any kind, expressed or implied, is extended by presenting the generalized data herein. We reserve the right to make changes in specifications shown herein or add improvements at any time without notice or obligation.